

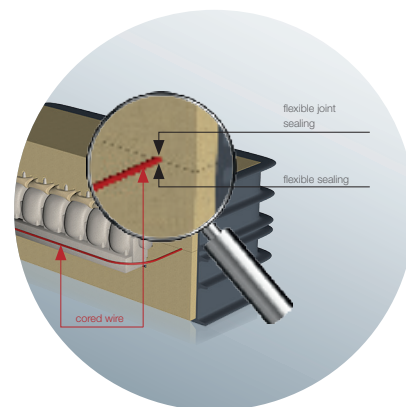
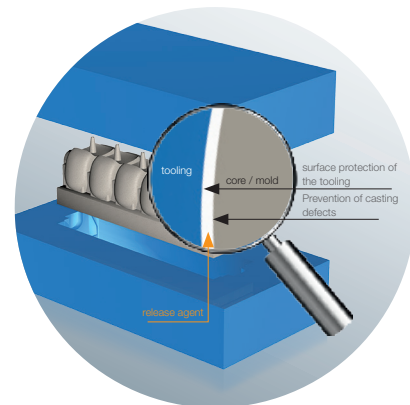
No Bake Auxiliaries

Productivity Benefits and Process Cost Reduction

- Prevention of damages and defects in cores and mold
- Reduction of casting defects
- Reduction of cleaning time within the production cycle
- Reduction of maintenance costs
- Longer tooling life

Release Agents

- Barrier between core/mold and tools
- Efficient prevention of casting defects



Cored Wire

- Prevention of leaking metal
- Controlled de-gassing
- Simple and easy handling
- Various diameter available
- Suitable for all types of casting

Release Agent – ECOPART™

ECOPART™ LP 89 is a proven release agent based on aluminum pigments. **ECOPART™ LP 89** is characterized in particular by an outstanding separating effect in combination with chromite sand and warm sands. It is also characterized by its long service life and thus reduces the application cycles.



ECOPART™ 80 S is a sprayable and brushable, wax-based release agent. It forms a transparent blue release film. Its blue color indicates where material has already been applied, respectively where the release agent is still on the surface. **ECOPART™ 80 S** is also compatible with styrofoam.



ECOPART™ 84 S is the more concentrated version of the **ECOPART™ 80 S**. It is particularly suitable for models with damage such as scratches, grooves, or other defects on the surface.



Sealing cords – ASKOROPE

ASKOROPE cored wire are ready-to-use sealing cords of various diameter with a length of 80 cm.

Alternatively, the following ASK products can also be used as „liquid material“ out of a „tube“:

- KERNKLEBER II (air drying)
- ASKOBOND CG 16
- ASKOPASTE GF 2



These „alternative“ cored wire can be used universally and reduce the complexity of use of the products applied, and additionally can also be applied automatically. In addition, they can also be used as core/mould adhesives.

Your contact person: Henning Rehse
 Technical Product Manager
 Henning.Rehse@ask-chemicals.com
 Phone: +49 211 71103-0



Order your samples now:
www.ask-chemicals.com/auxiliaries-release-agents