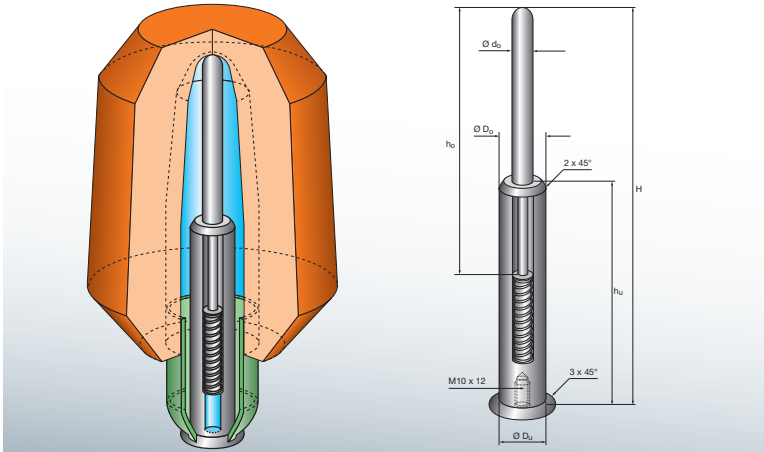


Spring Pins for EXACTCAST BKS + KK

Perfectly fitting pins and very small contact area

Riser Types & Dimensions



- Optimum formation of the breaker edge in conjunction with the metal tube
- Optimum distance of riser and casting
- Maintenance-free
- Extremely small contact area
- No contact of the metal tube with the pattern and therefore no pattern wear

Spring pins for EXACTCAST BKS + KK are available in the following dimensions:

Type			Spring pins dimensions					
Riser		Pin	$\varnothing D_o$ mm	$\varnothing D_u$ mm	$\varnothing d_o$ mm	h_u mm	h_o mm	H mm
BKS 19 *)	–	–	–	–	–	–	–	–
BKS 27	KK 27	BKS 1	16	19	12	105	71.5	136
BKS 61	KK 61	BKS 1	16	19	12	105	71.5	136
BKS 86	KK 86	BKS 2	16	19	12	105	92.5	157
BKS 110	–	BKS 1	16	19	12	105	71.5	136
BKS 111	KK 111	BKS 2	16	19	12	105	92.5	157
BKS 133	KK 133	BKS 2	16	19	12	105	92.5	157
BKS 164	KK 164	BKS 2	26	29	12	105	92.5	157
BKS 193	KK 193	BKS 4	26	29	12	105	100.5	165
BKS 237	KK 237	BKS 5	26	29	12	105	110.5	175
BKS 425	–	BKS 6	36	39	12	105	110.5	175
BKS 540	–	BKS 7	36	39	12	155	120.5	237

*) only available in variation "C"

Spring dimensions 1.25 x 11.25 x 64 made from steel according to EN 10270-1-DH.

On special request we can deliver detailed drawings for the spring pins.