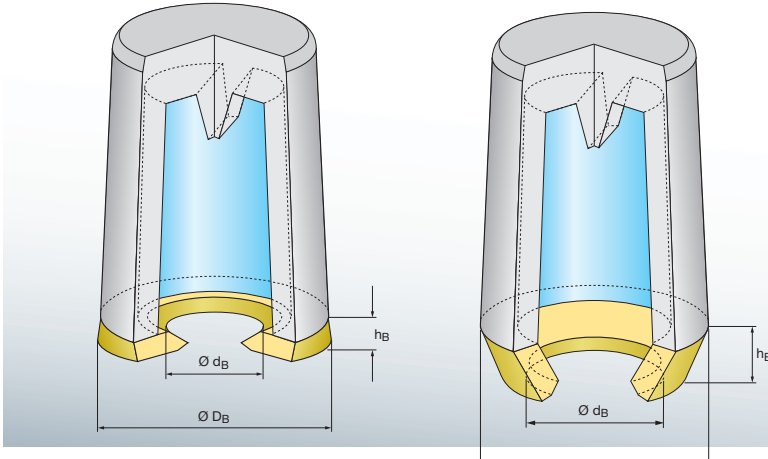


# Breaker Cores for EXACTCAST KI (EX / EXF / IN)

## Riser Types & Dimensions



- The sand breaker core significantly tapers the riser throat
- Separation is therefore easier
- Finishing costs are reduced
- Suitable for gray iron, ductile iron, malleable metal and cast steel

EXACTCAST KI insertable riser sleeves with breaker core are available in the following dimensions and packaging:

Type	Breaker core dimensions			Packaging
	Ø D <sub>B</sub> mm	Ø d <sub>B</sub> mm	h <sub>B</sub> mm	
KI 3 / 5 GP-15	47.0	15	6	6,480
KI 3 / 5 GP-20	47.0	20	6	6,480
KI 3,5 / 5 GP-20	56.0	20	6	5,040
KI 4 / 7 GP-25	66.5	25	6	2,376
KI 4 / 95 GP-25	66.5	25	6	1,728
KI 5 / 8 GP-25	76.5	25	8	1,600
KI 5 / 8 GP-30	76.5	30	8	1,600
KI 6 / 9 GP-30	84.0	30	8	1,224
KI 6 / 12 GP-30	84.0	30	8	952
KI 7 / 10 GP-30	98.0	30	10	768
KI 7 / 10 GP-35	98.0	35	10	768
KI 8 / 11 GP-40	106.5	40	10	640
KI 9 / 12 GP-45	120.0	45	10	420
KI 10 / 13 GP-50	132.0	50	10	364
KI 12 / 15 GP-60	159.5	60	12	160
KI 14 / 17 GP-70	187.0	70	13	120
KI 14 / 17 GP-90	187.0	90	13	120
KI 16 / 19 GP-80	213.0	80	13	80

Type	Breaker core dimensions			Packaging
	Ø D <sub>B</sub> mm	Ø d <sub>B</sub> mm	h <sub>B</sub> mm	
KI 4 / 7 E-25	43	25	15	2,520
KI 5 / 8 E-25	53	25	20	1,620
KI 6 / 9 E-30	55	30	22	980
KI 7 / 10 E-35	68	35	27	700
KI 7 / 10 E-50	70	50	25	700
KI 8 / 11 E-40	70	40	26	528
KI 8 / 11 E-55	70	55	26	528
KI 9 / 12 E-40	79	40	36	300
KI 9 / 12 E-60	79	60	36	300
KI 10 / 13 E-45	84	45	41	280
KI 10 / 13 E-70	84	70	41	280
KI 12 / 15 E-50	106	50	45	144
KI 12 / 15 E-85	106	85	41	144

The information contained herein is based on the present state of our knowledge (dimensional tolerances based on DIN EN ISO 8062:3 DCTG.11) and therefore does not guarantee certain properties. Liability for product advice and product-related information within the limits of obligations arising from the collateral contractual agreements, if not expressly agreed upon otherwise. (01 / 2023)

# Breaker Cores for EXACTCAST KI (EX / EXF / IN)

## Product Storage Conditions

---

- 9 months (if stored in dry conditions and intact original packaging)
- Protect from moisture
- Keep away from open flames and other ignition sources
- Read the Material Safety Data Sheet