

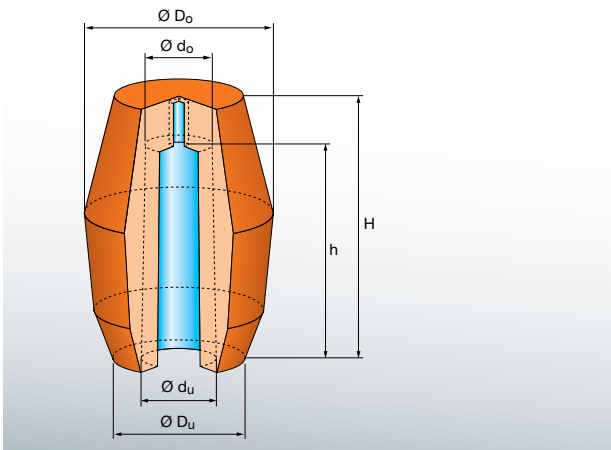


EXACTCAST KMV (EX / EXF)

Cold Box bonded, highly exothermic, fiber-free mini-risers for iron and cast steel



Riser Types & Dimensions



- Improved yield thanks to lower liquid iron content.
- Feeder geometry helps to prevent compaction shadows during moulding and compression.
- Extremely lightweight.

EXACTCAST KMV are available in the following dimensions and packaging:

| Type | Module exoth. cm | Riser Capacity | | Riser dimensions | | | | | | Packaging Pcs. / pal. |
|----------|------------------------|---------------------------|--------------|-------------------------|-------------------------|---------|---------|-------------------------|-------------------------|-----------------------------|
| | | Volume dm ³ | Weight kg | $\varnothing D_o$ mm | $\varnothing D_u$ mm | H mm | h mm | $\varnothing d_u$ mm | $\varnothing d_o$ mm | |
| KMV 40 | 1.30 | 0.040 | 0.280 | 76 | 42 | 100 | 85 | 26 | 24 | 1,620 |
| KMV 88 | 1.70 | 0.088 | 0.616 | 84 | 60 | 122 | 97 | 36 | 32 | 952 |
| KMV 121 | 1.90 | 0.121 | 0.847 | 98 | 66 | 128 | 110 | 40 | 35 | 672 |
| KMV 159 | 2.20 | 0.159 | 1.113 | 115 | 82 | 120 | 100 | 50 | 40 | 504 |
| KMV 191 | 2.50 | 0.191 | 1.337 | 120 | 98 | 145 | 120 | 50 | 40 | 504 |
| KMV 238 | 2.20 | 0.238 | 1.666 | 115 | 82 | 120 | 100 | 60 | 50 | 432 |
| KMV 339 | 2.80 | 0.339 | 2.373 | 120 | 98 | 145 | 120 | 68 | 55 | 432 |
| KMV 339B | 3.20 | 0.339 | 2.373 | 140 | 98 | 145 | 120 | 68 | 55 | 288 |
| KMV 590 | 3.80 | 0.590 | 4.130 | 142 | 110 | 150 | 125 | 80 | 75 | 288 |
| KMV 780 | 4.20 | 0.780 | 5.460 | 170 | 128 | 205 | 165 | 80 | 75 | 128 |



EXACTCAST KMV (EX / EXF)

Technical & Ecological Advantages

- Lower finishing costs by reducing the riser contact area and removal improved by using breaker cores
- Reduced fettling and blasting costs
- The slim riser geometry prevents poor compaction at the moment of moulding or ramming
- Suitable for horizontal moulding lines when used in combination with spring pin
- Available in fluorine-free (EXF) and low-fluorine (EX) formulations
- Reduced graphite degradation with fluorine-free mini-riser types
- By using fluorine-free risers the sand system is free from fluorine contamination

Product Storage Conditions

- 36 months (if stored in dry conditions and intact original packaging)
- Protect from moisture
- Keep away from open flames and other ignition sources
- Read the Material Safety Data Sheet