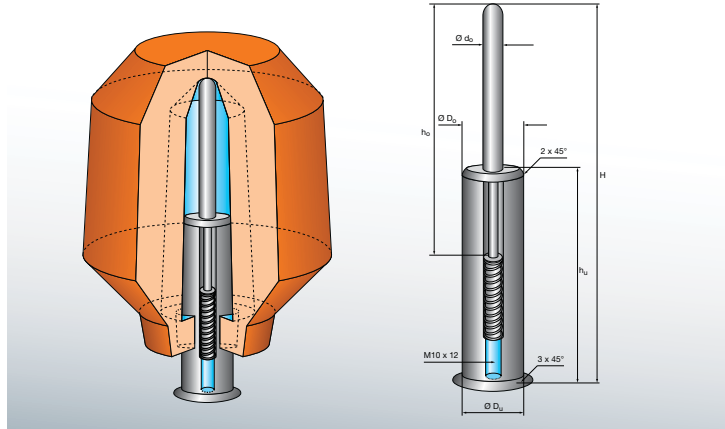




Spring Pins for EXACTCAST FDS

Perfectly fitting pins and very small contact area

Riser Types & Dimensions



- Low-maintenance
- Optimum distance of riser and casting

Spring pins for EXACTCAST FDS are available in the following dimensions:

Type		Spring pin dimensions					
Riser	Pin	$\varnothing D_o$ mm	$\varnothing D_u$ mm	$\varnothing d_o$ mm	h_u mm	h_o mm	H mm
FDS 50	FDS 1	15.5 x 25.5	19 x 29	12 H9	100	85	150
FDS 62	FDS 1	15.5 x 25.5	19 x 29	12 H9	100	85	150
FDS 63	FDS 1	15.5 x 25.5	19 x 29	12 H9	100	85	150
FDS 70	FDS 1	15.5 x 25.5	19 x 29	12 H9	100	85	150
FDS 72	FDS 1	15.5 x 25.5	19 x 29	12 H9	100	85	150
FDS 75	FDS 1	15.5 x 25.5	19 x 29	12 H9	100	85	150
FDS 81	FDS 1	15.5 x 25.5	19 x 29	12 H9	100	85	150
FDS 110	FDS 1	15.5 x 25.5	19 x 29	12 H9	100	85	150
FDS 111	FDS 1	15.5 x 25.5	19 x 29	12 H9	100	85	150
FDS 140	FDS 1	15.5 x 25.5	19 x 29	12 H9	100	85	150
FDS 142	FDS 2	15.5 x 25.5	19 x 29	12 H9	100	111	176
FDS 133	FDS 2	15.5 x 25.5	19 x 29	12 H9	100	111	176
FDS 150	FDS 1	15.5 x 25.5	19 x 29	12 H9	100	85	150
FDS 193	FDS 2	15.5 x 25.5	19 x 29	12 H9	100	111	176
FDS 250	FDS 2	15.5 x 25.5	19 x 29	12 H9	100	111	176

FDS risers are also available with a round riser neck and a round spring pin.
Spring dimensions 1.25 x 11.25 x 64 made from steel according to EN 10270-1-DH.

On special request we can deliver detailed drawing for the spring pins.