

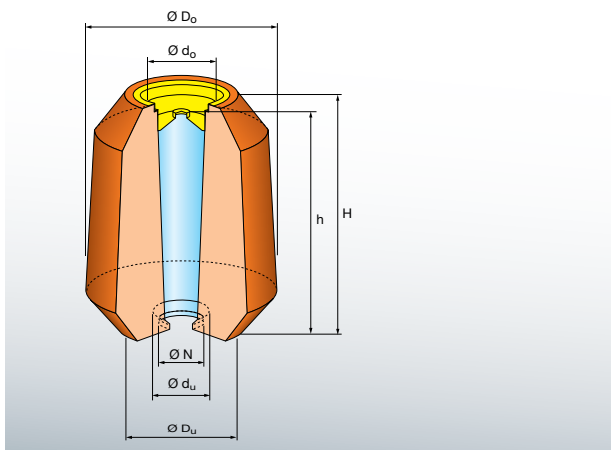


# EXACTCAST KMV-QT (EX / EXF)

Cold Box bonded, highly exothermic, fiber-free mini-risers for iron and cast steel



## Riser Types & Dimensions



- Breaker edge integrated into the feeding geometry
- Suitable for use with spring pin or for direct positioning on the model
- Easy handling due to low weight
- Extremely high insulation factor in addition to the exothermic properties

EXACTCAST KMV-QT are available in the following dimensions and packaging:

Type	Module	Riser Capacity		Riser dimensions						Packaging
		exoth. cm	Volume dm <sup>3</sup>	Weight kg	Ø D <sub>o</sub> mm	Ø D <sub>u</sub> mm	H mm	h mm	Ø d <sub>o</sub> mm	
KMV – 28 Q 15 T	0.95	0.03	0.21	62.5	35	79	70	30	15	3,312
KMV – 40 Q 16 T	1.30	0.04	0.28	76.0	40	100	93	26	16	1,620
KMV – 70 Q 20 T	1.60	0.07	0.49	84.0	50	90	80	38	20	1,360
KMV – 88 Q 20 T	1.70	0.09	0.62	84.0	50	122	113	38	20	952
KMV – 88 Q 01 T	1.70	0.09	0.62	84.0	50	122	113	38	30 x 20	952
KMV – 121 Q 23,5 T	1.90	0.12	0.85	98.0	55	128	113	43	23.5	672
KMV – 121 Q 01 T	1.90	0.12	0.85	98.0	55	128	113	43	30 x 20	672
KMV – 159 Q 20 T	2.20	0.16	1.11	115.0	66	120	110	50	20	504
KMV – 159 Q 01 T	2.20	0.16	1.11	115.0	66	120	110	50	30 x 20	504
KMV – 238 Q 20 T	2.20	0.24	1.67	115.0	66	120	110	60	20	504
KMV – 238 Q 01 T	2.20	0.24	1.67	115.0	66	120	110	60	30 x 20	504
KMV – 339 Q 30 T	3.20	0.34	2.37	120.0	70	145	135	60	30	432
KMV – 339 Q 01 T	3.20	0.34	2.37	120.0	70	145	135	60	30 x 20	432



# EXACTCAST KMV-QT (EX / EXF)

## Technical & Ecological Advantages

---

- Suitable for gray iron, ductile iron, malleable metal and cast steel
- Extremely lightweight
- Improved yield thanks to lower liquid metal content
- Smaller contact areas compared to riser sleeves and natural risers
- Reduced fettling and blasting costs
- Suitable for horizontal molding lines when used in combination with spring pin
- The slim riser geometry prevents poor compaction at the moment of molding or ramming
- Available in fluorine-free (EXF) and low-fluorine (EX) formulations
- Reduced graphite degradation with fluorine-free mini-riser types
- By using fluorine-free risers, the sand system is free from fluorine contamination

## Product Storage Conditions

---

- 36 months (if stored in dry conditions and intact original packaging)
- Protect from moisture
- Keep away from open flames and other ignition sources
- Read the Material Safety Data Sheet