

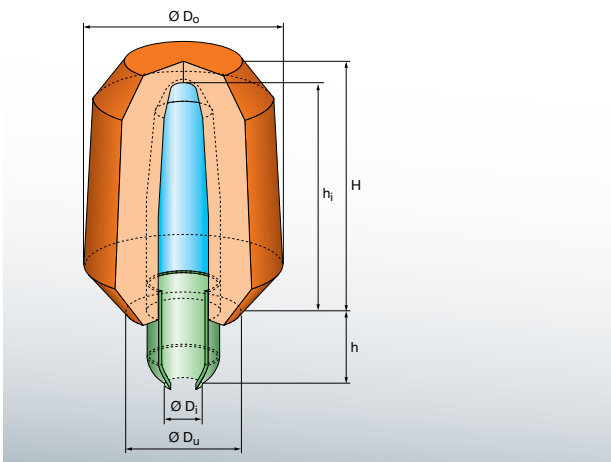


# EXACTCAST BKS (EX / EXF)

Silicate-bonded, highly exothermic, fiber-free mini-risers for iron and cast steel



## Riser Types & Dimensions



- For use with spring pin
- Exactly defined breaker edge makes breaker cores redundant
- No contact between casting and exothermic material

EXACTCAST BKS are available in the following dimensions and packages:

Type	Module	Riser Capacity		Riser dimensions						Packaging	
		exoth. cm	Volume dm <sup>3</sup>	Weight kg	$\varnothing D_o$ mm	$\varnothing D_u$ mm	$\varnothing D_i$ mm	H mm	$h_i$ mm		h mm
BKS 19*	–	–	–	–	–	–	–	–	–	–	–
BKS 27	1.30	0.11	0.80	78	58	20	110	100	40	840	
BKS 61	1.70	0.11	0.80	87	60	20	107	100	40	600	
BKS 86	1.90	0.14	0.99	100	70	20	135	120	40	400	
BKS 111	2.20	0.14	0.99	122	90	20	135	120	40	288	
BKS 133	2.80	0.15	1.02	140	100	20	140	125	40	180	
BKS 164	2.20	0.29	2.03	122	90	30	135	120	45	288	
BKS 193	2.80	0.30	2.10	140	100	30	140	125	40	180	
BKS 237	3.20	0.31	2.17	145	95	30	145	135	40	160	
BKS 425	3.50	0.31	2.17	143	112	40	150	135	40	220	
BKS 540	4.20	0.48	3.36	170	110	40	210	195	40	96	

\* only available in variation "C"

If the (green) metal tube is packaged separately, the quantities/ pallet may vary.



# EXACTCAST BKS (EX / EXF)

## Technical & Ecological Advantages

---

- Suitable for gray iron, ductile iron, malleable metal and cast steel
- Very small contact area
- Ideally suited for high-pressure molding lines
- Minimizes fettling and blasting costs
- Free of organic binders, low-emission, neutral CO<sub>2</sub> footprint
- Minimal riser residues in the used sand thanks to improved separability
- Available in fluorine-free (EXF) and low-fluorine (EX) formulations
- Reduced graphite degradation with fluorine-free mini-riser types
- By using fluorine-free risers, the sand system is free from fluorine contamination

## Product Storage Conditions

---

- 9 months (if stored in dry conditions and intact original packaging)
- Protect from moisture
- Keep away from open flames and other ignition sources
- Read the Material Safety Data Sheet