

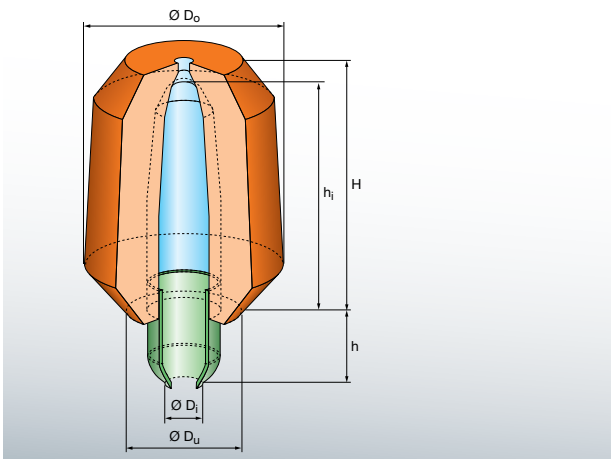


EXACTCAST BKS C (EX / EXF)

Silicate-bonded, highly exothermic, fiber-free mini-risers for iron and cast steel



Riser Types & Dimensions



- For use with spring pin
- Exactly defined breaker edge makes breaker cores redundant
- No contact between casting and exothermic material

EXACTCAST BKS C are available in the following dimensions and packaging:

Type	Module	Riser Capacity		Riser dimensions						Packaging
		exoth. cm	Volume dm ³	Weight kg	$\varnothing D_o$ mm	$\varnothing D_u$ mm	$\varnothing D_i$ mm	H mm	h_i mm	
BKS 19 C	0.95	0.03	0.18	60	40	15	80	70	25	1,320
BKS 27 C	1.30	0.11	0.80	78	58	20	110	100	40	840
BKS 61 C	1.70	0.11	0.80	87	60	20	107	100	40	600
BKS 86 C	1.90	0.14	0.99	100	70	20	135	120	40	400
BKS 111 C	2.20	0.14	0.99	122	90	20	135	120	40	288
BKS 133 C	2.80	0.15	1.02	140	100	20	140	125	40	180
BKS 164 C	2.20	0.29	2.03	122	90	30	135	120	45	288
BKS 193 C	2.80	0.30	2.10	140	100	30	140	125	40	180
BKS 237 C	3.20	0.31	2.17	145	95	30	145	135	40	160
BKS 425 C	3.50	0.31	2.17	143	112	40	150	135	40	220
BKS 540 C	4.20	0.48	3.36	170	110	40	210	195	40	96

If the (green) metal tube is packaged separately, the quantities/ pallet may vary.



EXACTCAST BKS C (EX / EXF)

Technical & Ecological Advantages

- Suitable for gray iron, ductile iron, malleable metal and cast steel
- To use with rigid pins
- Exactly defined breaker edge makes breaker cores redundant
- Very small contact area
- Ideally suited for high-pressure molding lines
- No contact between casting and exothermic material
- Minimizes fettling and blasting costs
- Free of organic binders, low-emission, neutral CO₂ footprint
- Minimal riser residues in the used sand thanks to improved separability
- Available in fluorine-free (EXF) and low-fluorine (EX) formulations
- Reduced graphite degradation with fluorine-free mini-riser types
- By using fluorine-free risers, the sand system is free from fluorine contamination

Product Storage Conditions

- 9 months (if stored in dry conditions and intact original packaging)
- Protect from moisture
- Keep away from open flames and other ignition sources
- Read the Material Safety Data Sheet