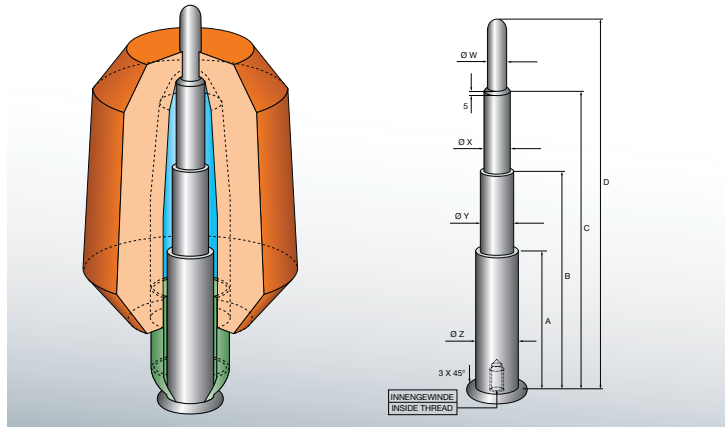




Rigid Pins for EXACTCAST BKS C + KK C

Perfectly fitting pins and very small contact area

Riser Types & Dimensions



- Maintenance-free
- Optimum formation of the breaker edge in conjunction with the metal tube
- Optimum distance of riser and casting
- No contact of the metal tube with the pattern and therefore no pattern wear
- Extremely small contact areas

Rigid pins for EXACTCAST BKS C + KK C are available in the following dimensions:

Type		Pin dimensions								
Riser	Pin	Ø W mm	Ø X mm	Ø Y mm	Ø Z mm	A mm	B mm	C mm	D mm	Inside thread
BKS 19	BKS A	7	9.5	14	–	–	80	95	120	M 8 x 20
BKS 27	BKS B	9	13.0	18	–	–	103	132	159	M 8 x 20
BKS 61	BKS B	9	13.0	18	–	–	103	132	159	M 10 x 25
BKS 86	BKS C	9	13.0	18	–	–	134	162	190	M 10 x 25
BKS 110	BKS B	9	13.0	18	–	–	103	132	159	M 10 x 25
BKS 111	BKS C	9	13.0	18	–	–	134	162	190	M 10 x 25
BKS 133	BKS D	9	13.0	18	–	–	139	167	195	M 10 x 25
BKS 164	BKS C	9	13.0	18	28	90	134	162	190	M 10 x 25
BKS 193	BKS E	9	13.0	18	28	90	139	167	195	M 10 x 25
BKS 237	BKS F	9	13.0	18	28	90	144	172	200	M 10 x 25
BKS 425	BKS G	9	13.0	18	38	90	144	172	200	M 10 x 25
BKS 540	BKS H	9	13.0	18	38	90	209	237	265	M 10 x 25