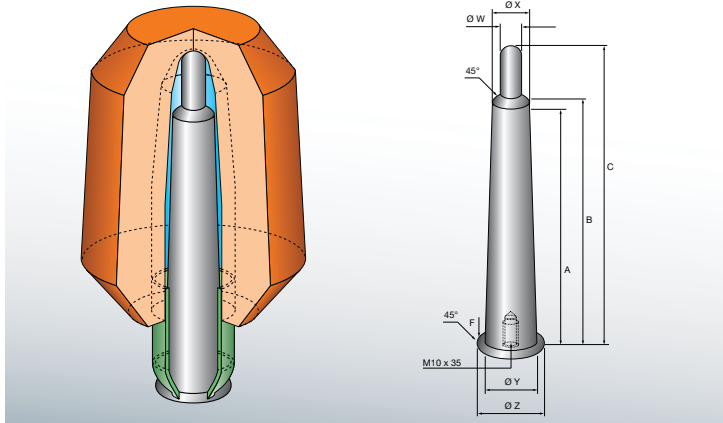




Rigid Pins for EXACTCAST KMV-QM

Perfectly fitting pins and very small contact area

Riser Types & Dimensions



- Maintenance-free
- Optimum formation of the breaker edge in conjunction with the metal tube
- Optimum distance of riser and casting
- No contact of the metal tube with the pattern and therefore no pattern wear
- Extremely small contact areas

Rigid pins for EXACTCAST KMV-QM are available in the following dimensions:

Type	Pin dimensions							
	Ø W mm	Ø X mm	Ø Y mm	Ø Z mm	A mm	B mm	C mm	F mm
KMV – 100 Q 20 M	7	19	19	24	84	94	120	2.5x45°
KMV – 140 Q 20 M	7	19	19	24	116	126	152	2.5x45°
KMV – 150 Q 20 M	10	19	19	24	122	132	158	2.5x45°
KMV – 210 Q 20 M	10	19	19	24	122	132	151	3.0x45°
KMV – 210 Q 25 M	10	20	24	30	121	126	151	3.0x45°
KMV – 360 Q 30 M	11	22	29	35	144	151	177	3.0x45°