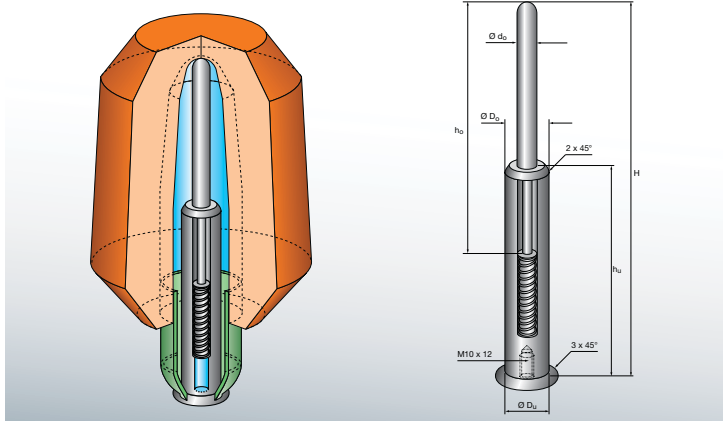




Spring Pin for EXACTCAST BKS + KK

Perfectly fitting pins and very small contact area

Riser Types & Dimensions



- Maintenance-free
- Optimum formation of the breaker edge in conjunction with the metal tube
- Optimum distance of riser and casting
- No contact of the metal tube with the pattern and therefore no pattern wear

Spring pins for EXACTCAST BKS + KK are available in the following dimensions:

Type		Spring pins dimensions					
Riser	Pin	$\varnothing D_o$ mm	$\varnothing D_u$ mm	$\varnothing d_o$ mm	h_u mm	h_o mm	H mm
KK 27	BKS 1	16	19	12	105	71.5	136
KK 61	BKS 1	16	19	12	105	71.5	136
KK 86	BKS 2	16	19	12	105	92.5	157
KK 111	BKS 2	16	19	12	105	92.5	157
KK 133	BKS 3	16	19	12	105	100.5	165
KK 164	BKS 2	26	29	12	105	92.5	157
KK 193	BKS 4	26	29	12	105	100.5	165
KK 237	BKS 5	26	29	12	105	110.5	175

Spring dimensions 1.25 x 11.25 x 64 made from steel according to EN 10270-1-DH.

On special request we can deliver detailed drawings for the spring pins.

The information contained herein is based on the present state of our knowledge (dimensional tolerances based on DIN ISO 2768 medium) and therefore does not guarantee certain properties. Liability for product advice and product-related information within the limits of obligations arising from the collateral contractual agreements, if not expressly agreed upon otherwise. (07 / 2015)