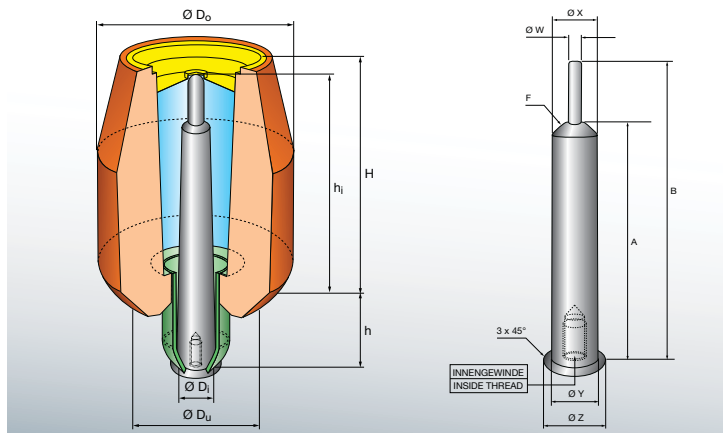




Rigid Pins for EXACTCAST OPTIMA KL (with metal lid)

Perfectly fitting pins and very small contact area

Riser Types & Dimensions



- Maintenance-free
- Optimum distance of riser and casting
- Optimum formation of the breaker edge in conjunction with the metal tube
- No contact of the metal tube with the pattern and therefore no pattern wear

Rigid pins for EXACTCAST OPTIMA KL are available in the following dimensions:

Type		Pin dimensions							
Riser	Pin	Ø W mm	Ø X mm	Ø Y mm	Ø Z mm	A mm	B mm	F mm	Inside thread
KL 19	MD-Dorn KL AC	7	15	15	21	82	103	45°	M 8 x 30
KL 27	MD-Dorn KL AD	7	15	15	21	101	122	45°	M 8 x 30
KL 40	MD-Dorn KL A	13	19	19	25	97	123	28°	M 10 x 30
KL 61	MD-Dorn KL B	13	19	19	25	128	156	28°	M 10 x 30
KL 80	MD-Dorn KL BB	13	19	19	24	106	137	28°	M 10 x 30
KL 86	MD-Dorn KL C	13	19	19	25	134	162	28°	M 10 x 30
KL 90	MD-Dorn KL BC	13	19	19	24	112	138	45°	M 10 x 30
KL 111	MD-Dorn KL CA	13	19	19	25	125	152	45°	M 10 x 30
KL 115	MD-Dorn KL D	13	19	19	25	140	166	45°	M 10 x 30
KL 193	MD-Dorn KL E	13	23	29	35	146	173	45°	M 10 x 30
KL 197	MD-Dorn KL EB	13	23	29	35	150	176	45°	M 10 x 30
KL 237	MD-Dorn KL F	13	23	29	35	152	178	45°	M 10 x 30
KL 239	MD-Dorn KL G	13	23	29	35	156	180	45°	M 10 x 30
KL 430	MD-Dorn KL I	13	23	29	35	164	189	45°	M 10 x 30
KL 540	MD-Dorn KL J	13	25	29	35	221	246	45°	M 10 x 30