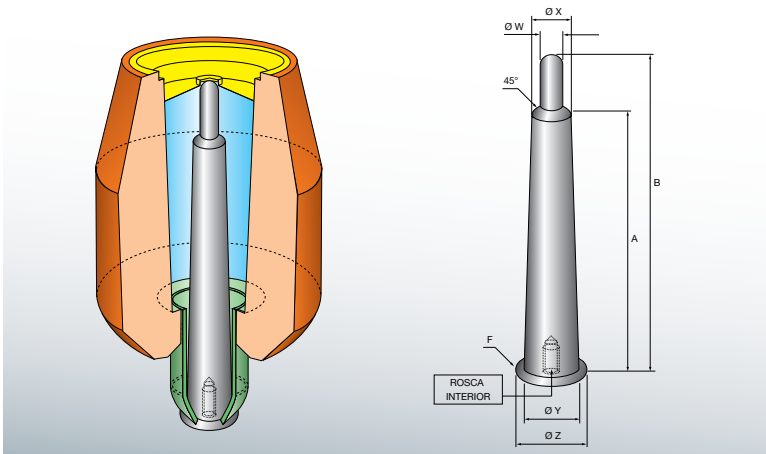


Rigid Pins for EXACTCAST OPTIMA KMV-CC

Perfectly fitting pins and very small contact area

Riser Types & Dimensions



- Maintenance-free
- Optimum distance of riser and casting
- Optimum formation of the breaker edge in conjunction with the metal tube
- No contact of the metal tube with the pattern and therefore no pattern wear
- Extremely small contact areas

Rigid pins for EXACTCAST OPTIMA KMV-CC are available in the following dimensions:

Type	Pin dimensions							
	Ø W mm	Ø X mm	Ø Y mm	Ø Z mm	A mm	B mm	F mm	Inside thread
KMV 40 Q 15 CC	6.0	14	14	18	100.0	130.0	2.0x45°	M 10 x 30
KMV 70 Q 20 CC	6.0	19	19	24	87.5	117.5	2.5x45°	M 10 x 30
KMV 88 Q 20 CC	6.0	19	19	24	119.5	149.5	2.5x45°	M 10 x 30
KMV 121 Q 20 CC	6.0	19	19	24	120.5	150.5	2.5x45°	M 10 x 30
KMV 159 Q 20 CC	6.0	19	19	24	120.5	150.5	2.5x45°	M 10 x 30
KMV 238 Q 30 CC	6.0	23	29	35	125.0	155.0	3.0x45°	M 10 x 30
KMV 238 Q 25 CC	6.0	24	24	29	125.0	155.0	2.5x45°	M 10 x 30
KMV 339 Q 30 CC	6.0	23	29	35	150.0	180.0	3.0x45°	M 10 x 30
KMV 339 B Q 30 CC	6.0	23	29	35	150.0	180.0	3.0x45°	M 10 x 30