

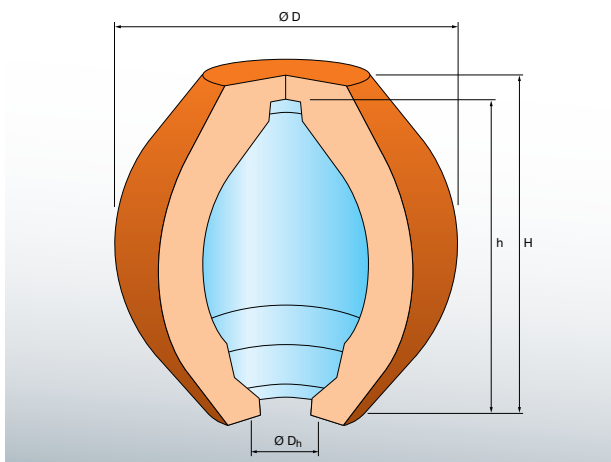


EXACTCAST SP (EX)

Silicate bonded, highly exothermic, fiber-free spherical risers for iron and cast steel



Riser Types & Dimensions



- Optimal feeding with little overall size
- Optimal relationship between modules, exothermic mass and feeding performance
- No contact between casting and exothermic material

EXACTCAST SP are available in the following dimensions and packaging:

| Type | Module | | Riser capacity | | Riser dimensions | | | | Packaging |
|---------|-----------|------------------------|----------------|--------|---------------------|------|------|-------|-----------|
| | exoth. cm | Volume dm ³ | Weight kg | Ø D mm | Ø D _h mm | H mm | h mm | | |
| SP 8 | 0.80 | 0.015 | 0.11 | 50 | 14 | 50 | 45 | 4,356 | |
| SP 15 | 1.10 | 0.026 | 0.18 | 60 | 16 | 60 | 54 | 2,520 | |
| SP 27 | 1.30 | 0.045 | 0.32 | 70 | 16 | 70 | 64 | 1,216 | |
| SP 55 | 1.50 | 0.081 | 0.57 | 80 | 20 | 80 | 74 | 1,216 | |
| SP 61 | 1.70 | 0.118 | 0.83 | 90 | 22 | 90 | 82 | 960 | |
| SP 86 | 2.00 | 0.158 | 1.11 | 100 | 24 | 100 | 92 | 560 | |
| SP 115 | 2.40 | 0.260 | 1.82 | 120 | 25 | 120 | 110 | 392 | |
| SP 193 | 2.70 | 0.350 | 2.45 | 130 | 28 | 130 | 120 | 220 | |
| SP 237 | 3.20 | 0.412 | 2.88 | 140 | 30 | 140 | 128 | 220 | |
| SP 425 | 3.50 | 0.580 | 4.06 | 155 | 32 | 155 | 143 | 220 | |
| SP 450 | 4.00 | 0.770 | 5.39 | 170 | 34 | 170 | 158 | 140 | |
| SP 680 | 4.50 | 1.500 | 10.50 | 200 | 40 | 190 | 186 | 144 | |
| SP 1730 | 5.00 | 2.505 | 17.85 | 250 | 63 | 230 | 215 | 48 | |



EXACTCAST SP (EX)

Technical & Ecological Advantages

- Suitable for gray iron, ductile iron, malleable iron and cast steel
- To use with rigid pin or spring pin
- Very small contact area
- Ideally suited for high-pressure molding lines
- Reduced fettling and blasting costs
- Free of organic binders, low-emission
- Neutral CO₂ footprint
- Minimal riser residues in the used sand thanks to improved separability
- Available in fluorine (EX) formulations

Product Storage Conditions

- 9 months (if stored in dry conditions and intact original packaging)
- Protect from moisture
- Keep away from open flames and other ignition sources
- Read the Material Safety Data Sheet