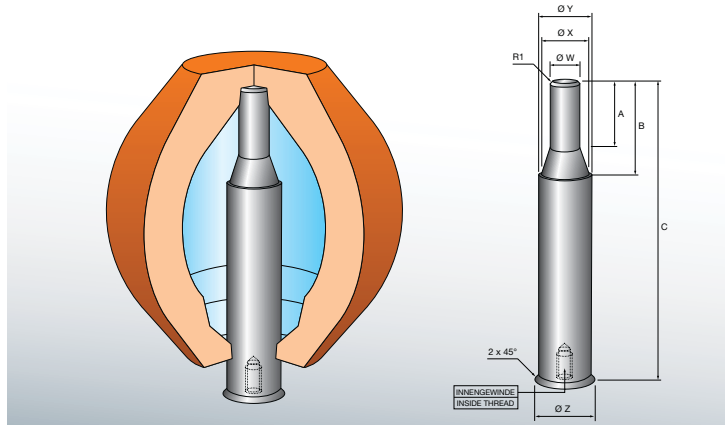




Rigid Pins for EXACTCAST SP

Perfectly fitting pins and very small contact area

Riser Types & Dimensions



- Optimum distance of riser and casting
- Maintenance-free

Rigid pins for spherical-riser EXACTCAST SP are available in the following dimensions:

Type		Pin dimensions*							
Riser	Pin	Ø W mm	Ø X mm	Ø Y mm	Ø Z mm	A mm	B mm	C mm	Inside thread
SP 8	SP A	5	12	13	17	16	22.5	69	M 8 x 30
SP 15	SP B	6	14	15	19	17	24.5	79	M 8 x 30
SP 27	SP C	6	9	15	19	17	25.5	89	M 10 x 30
SP 55	SP D	7	12	20	24	17	26.5	97	M 10 x 30
SP 61	SP E	10	13	22	26	17	27.0	107	M 10 x 30
SP 86	SP E	13	16	24	28	9	20.8	109	M 10 x 30
SP 115	SP F	14	18	25	29	13	26.0	135	M 10 x 30
SP 193	SP G	16	20	28	32	13	26.6	145	M 10 x 30
SP 237	SP H	17	24.8	30	34	13	26.1	153	M 10 x 30
SP 425	SP J	18	22.5	32	36	13	28.0	168	M 10 x 30
SP 450	SP K	21	25.2	34	38	13	27.1	183	M 10 x 30
SP 680	SP L	23	27.8	41	45	13	29.1	206	M 10 x 30
SP 1730	SP M	29	45	49	53	17	42.0	244	M 10 x 30

*) the measures are recommendations and an adaption to parameters of the foundry can be necessary.