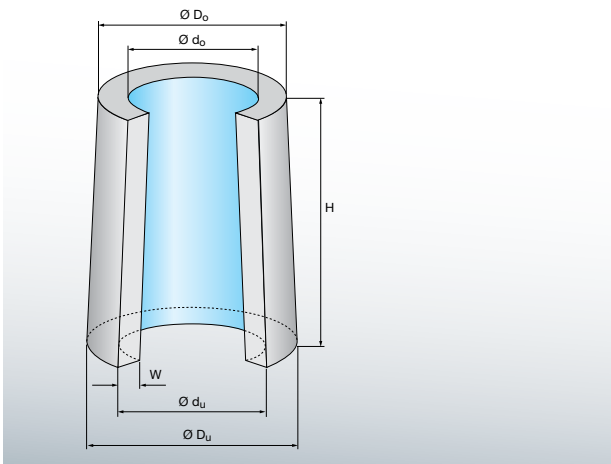


EXACTCAST Riser Tubes (IN)

Riser tubes for aluminium casting with high dimensional accuracy



Riser Types & Dimensions



- No metal reaction
- Fiber-free (important for health & safety at work)
- After burning the tube does not obstruct the filters in sand reclaimers

EXACTCAST insulating riser tubes are available in the following dimensions and packaging:

Type	Module	Riser capacity	Riser dimensions						Packaging
			H mm	Ø D _o mm	Ø d _o mm	Ø D _u mm	Ø d _u mm	W mm	
KT 40-150	1.10	189	150	61.2	38.3	65.2	42.3	11.5	1,512
KT 60-150	1.80	400	150	81.2	58.3	85.2	62.3	11.5	840

Product Storage Conditions

- 36 months (if stored in dry conditions and intact original packaging)
- Protect from moisture
- Keep away from open flames and other ignition sources
- Read the Material Safety Data Sheet