

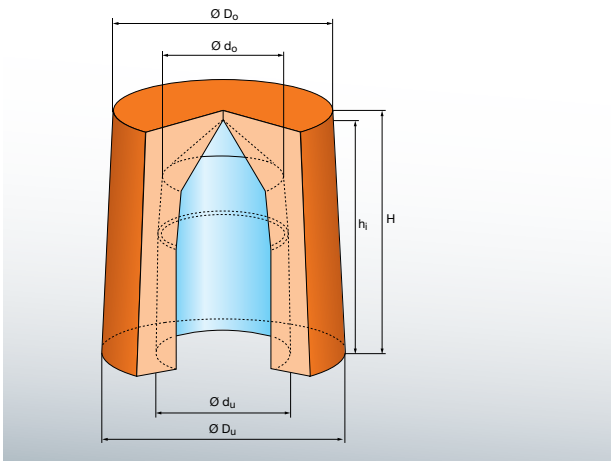


EXACTCAST KIM (EX / EXF / IN)

Cold Box bonded, highly exothermic or insulating insertable riser sleeves for iron, cast steel and non-ferrous metals



Riser Types & Dimensions



- Insertable riser sleeves with the advantages of the mini-riser technology
- Improved yield thanks to lower liquid iron content
- Available in fluorine-free (EXF) and low-fluorine (EX) formulations
- Excellent dimensional accuracy, ideal for insertion

Insertable mini-riser sleeves for EXACTCAST KIM are available in the following dimensions and packaging:

Type	Module	Riser capacity		Riser dimensions						Packaging
		exoth. cm	Volume dm ³	Weight kg	$\varnothing D_o$ mm	$\varnothing D_u$ mm	$\varnothing d_u$ mm	$\varnothing d_o$ mm	H mm	
KIM 4/7	1.3	0.030	0.21	58.5	62.5	25	22	73	68	3,024
KIM 4/95	1.3	0.038	0.266	59.0	63.0	25	22	97	92	2,268
KIM 5/8	1.6	0.075	0.525	69.5	74.0	40	38	80	75	1,980
KIM 5/10	1.6	0.095	0.665	69.5	74.0	40	38	101	95	1,620
KIM 6/9	1.8	0.135	0.945	75.5	80.5	50	46	92	87	1,260
KIM 6/12	1.85	0.176	1.232	72.5	80.5	50	46	116	111	980
KIM 7/10	2.1	0.200	1.400	89.0	94.5	60	56	99.5	94	900
KIM 8/11	2.3	0.230	1.610	96.0	102.0	60	58	108	103	704
KIM 9/12	2.6	0.430	3.010	109.5	115.0	80	76	120	115	420
KIM 10/13	2.9	0.495	3.465	119.0	127.5	80	76	133	128	392
KIM 12/15	3.3	0.850	5.95	147.0	154.5	100	96	150	145	216



EXACTCAST KIM (EX / EXF / IN)

Technical & Ecological Advantages

- Suitable for gray iron, ductile iron, malleable iron and cast steel
- Ideally suited for automatic molding lines and for molding operations and inserting
- Fiber-free (important for health & safety at work)
- By using fluorine-free risers, the sand system is free from fluorine contaminants

Product Storage Conditions

- 36 months (if stored in dry conditions and intact original packaging)
- Protect from moisture
- Keep away from open flames and other ignition sources
- Read the Material Safety Data Sheet