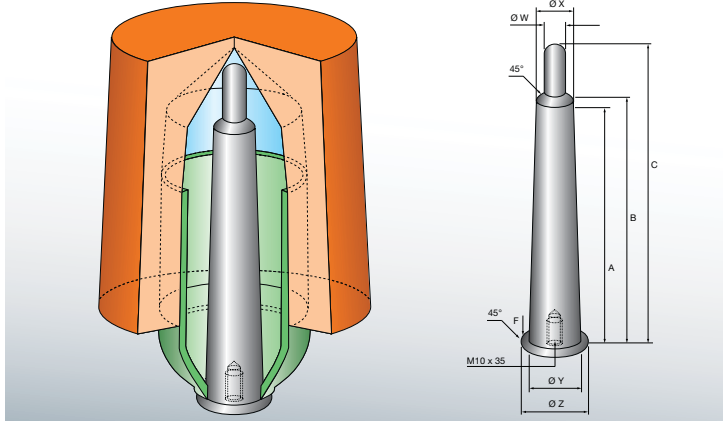




Rigid Pins for EXACTCAST KIM-QM

Perfectly fitting pins and very small contact area

Riser Types & Dimensions



- Maintenance-free
- Optimum distance of riser and casting
- Optimum formation of the breaker edge in conjunction with the metal tube
- No contact of the metal tube with the pattern and therefore no pattern wear
- Extremely small contact areas

Rigid pins for EXACTCAST KIM-QM are available in the following dimensions:

Type	Pin dimensions								
	Ø W mm	Ø X mm	Ø Y mm	Ø Z mm	A mm	B mm	C mm	F mm	Inside thread
KIM 4/7 Q 15 M	7	14	14	18	76	80	95	2x45°	M 10x30
KIM 4/95 Q 15 M	7	14	14	18	100	104	119	2x45°	M 10x30
KIM 5/8 Q 20 M	7	19	19	24	80.5	86.5	111.5	2.5x45°	M 10x30
KIM 5/10 Q 20 M	7	19	19	24	101.5	107.5	122.5	2.5x45°	M 10x30
KIM 6/9 Q 25 M	7	24	24	29	89.5	99.5	124.5	2.5x45°	M 10x30
KIM 6/12 Q 25 M	7	24	24	29	113.5	123.5	148.5	2.5x45°	M 10x30
KIM 7/10 Q 30 M	11	29	29	35	97	107	132	3x45°	M 10x30
KIM 8/11 Q 30 M	11	29	29	35	106	116	141	3x45°	M 10x30
KIM 9/12 Q 40 M	11	39	39	45	113	128	153	3x45°	M 10x30
KIM 10/13 Q 40 M	11	39	39	45	126	141	166	3x45°	M 10x30
KIM 12/15 Q 50 M	11	49	49	59	150	160	185	5x45°	M 10x30