

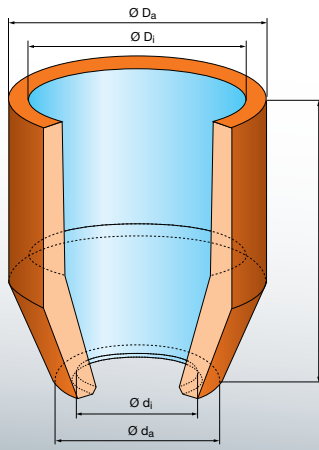


# EXACTCAST ND (IN / EX / EXF)

Cold Box bonded, highly exothermic, fiber-free for iron and cast steel



## Riser Types & Dimensions



- Available in fluorine-free (EXF), low-fluorine (EX) and insulating (IN) formulations
- Exactly defined breaker edge makes breaker cores redundant
- Thicker walls provide greater exothermic and insulating power as well as greater strengths
- Smaller neck than the standard neck-down sleeves, easier cutting

EXACTCAST ND are available in the following dimensions and packaging:

Type	Module exoth. cm	Riser capacity		Riser dimensions				H mm	Packaging pcs./ pal.
		Volume dm <sup>3</sup>	Weight kg	Ø Da mm	Ø Di mm	Ø da mm	Ø di mm		
ND 120 E 60	3.4	1.35	9.45	157	118	97	60	150	9/216
ND 150 E 70	4.1	2.68	18.76	192	147	120	70	195	6/96
ND 175 E 90	4.8	4.94	34.58	222	175	132	87	250	4/64

## Product Storage Conditions

- 36 months (if stored in dry conditions and intact original packaging)
- Protect from moisture
- Keep away from open flames and other ignition sources
- Read the Material Safety Data Sheet